

# FLAMEPROOF ENCLOSURES

## GUB/EMH.. Series with window - Copper-free aluminium or Stainless Steel AISI 316 L



GUB/EMH.. series enclosures offers Ex dB IIC mode of protection and is equipped with window made of tempered glass for electrical equipment which requires a direct reading from the outside. And with following components:

- Measurement instruments;
- Electric and electronic equipment;

They can be used for instrument housing.

### MARKING

#### Full conformity certificate

II 2G Ex db IIC T6/T5/T4 or  
 II 2G Ex db ia/ib IIC T6/T5/T4 Gb and/or  
 II 2D Ex tb IIIC T85°C/ T100°C/T135°C Db  
 II 2D Ex tb ia/ib IIIC T85°C/ T100°C/T135°C Db

#### Component Certificate

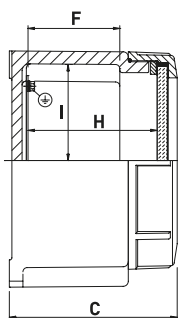
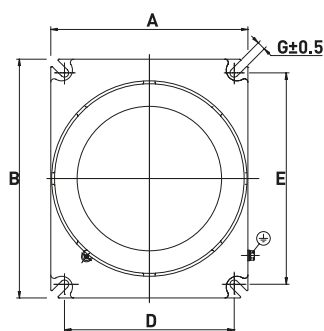
II 2G Ex db IIC Gb and/or  
 II 2D Ex tb IIIC Db IP66 or  
 I M2 Ex db I Mb

## TECHNICAL FEATURES

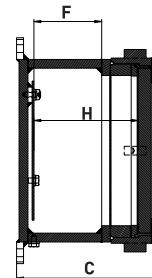
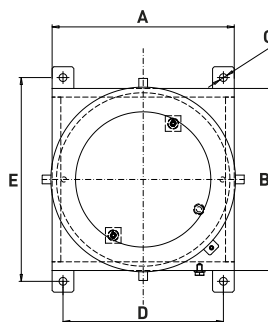
<b>Material</b>	Copper-free aluminium Stainless steel AISI 316 L (different sizes than the standard indicated)																
<b>IP rating</b>	IP66																
<b>Ambient temperature range</b>	-55°C to +80°C (ATEX) -55°C to +80°C (IECEX)																
<b>Approvals</b>	<table border="0"> <tr> <td><u>Full conformity certificate:</u></td> <td><u>Component certificate:</u></td> </tr> <tr> <td>INERIS 22 ATEX 0008X</td> <td>INERIS 22 ATEX 9002U</td> </tr> <tr> <td>IECEX INE 22.0012X</td> <td>IECEX INE 22.0010U</td> </tr> <tr> <td>EAC: RU C-IT.BH02.B.00588/20</td> <td>EAC: RU C-IT.BH02.B.00588/20</td> </tr> <tr> <td>ECAS available</td> <td></td> </tr> <tr> <td>KC: 19-KA4B0-0385X;19-KA4B0-0386X</td> <td></td> </tr> </table>	<u>Full conformity certificate:</u>	<u>Component certificate:</u>	INERIS 22 ATEX 0008X	INERIS 22 ATEX 9002U	IECEX INE 22.0012X	IECEX INE 22.0010U	EAC: RU C-IT.BH02.B.00588/20	EAC: RU C-IT.BH02.B.00588/20	ECAS available		KC: 19-KA4B0-0385X;19-KA4B0-0386X					
<u>Full conformity certificate:</u>	<u>Component certificate:</u>																
INERIS 22 ATEX 0008X	INERIS 22 ATEX 9002U																
IECEX INE 22.0012X	IECEX INE 22.0010U																
EAC: RU C-IT.BH02.B.00588/20	EAC: RU C-IT.BH02.B.00588/20																
ECAS available																	
KC: 19-KA4B0-0385X;19-KA4B0-0386X																	
<b>Other marking</b>	<table border="0"> <tr> <td>II 2(1) G Ex db [ia Ga] IIC T6 Gb and/or</td> <td><u>Only for AISI316L</u></td> </tr> <tr> <td>II 2(2) G Ex db [ib] IIC T6 Gb and/or</td> <td>I M2 Ex db I Mb</td> </tr> <tr> <td>II 2(1) G Ex db ia/ib [ia Ga] IIC T6 Gb and/or</td> <td>I M2 Ex db ia/ib I Mb</td> </tr> <tr> <td>II 2(2) G Ex db ia/ib [ib] IIC T6 Gb and/or II</td> <td>I M2(M1) Ex db [ia Ma] I Mb</td> </tr> <tr> <td>2(1) D Ex tb [ia Da] IIIC T85°C Db</td> <td>I M2(M2) Ex db [ib] I Mb</td> </tr> <tr> <td>II 2(2) D Ex tb [ib] IIIC T85°C Db</td> <td>I M2(M1) Ex db ia/ib [ia Ma] I Mb</td> </tr> <tr> <td>II 2(1) D Ex tb ia/ib [ia Da] IIIC T85°C Db II</td> <td>I M2(M2) Ex db ia/ib [ib] I Mb</td> </tr> <tr> <td>2(2) D Ex tb ia/ib [ib] IIIC T85°C Db</td> <td></td> </tr> </table>	II 2(1) G Ex db [ia Ga] IIC T6 Gb and/or	<u>Only for AISI316L</u>	II 2(2) G Ex db [ib] IIC T6 Gb and/or	I M2 Ex db I Mb	II 2(1) G Ex db ia/ib [ia Ga] IIC T6 Gb and/or	I M2 Ex db ia/ib I Mb	II 2(2) G Ex db ia/ib [ib] IIC T6 Gb and/or II	I M2(M1) Ex db [ia Ma] I Mb	2(1) D Ex tb [ia Da] IIIC T85°C Db	I M2(M2) Ex db [ib] I Mb	II 2(2) D Ex tb [ib] IIIC T85°C Db	I M2(M1) Ex db ia/ib [ia Ma] I Mb	II 2(1) D Ex tb ia/ib [ia Da] IIIC T85°C Db II	I M2(M2) Ex db ia/ib [ib] I Mb	2(2) D Ex tb ia/ib [ib] IIIC T85°C Db	
II 2(1) G Ex db [ia Ga] IIC T6 Gb and/or	<u>Only for AISI316L</u>																
II 2(2) G Ex db [ib] IIC T6 Gb and/or	I M2 Ex db I Mb																
II 2(1) G Ex db ia/ib [ia Ga] IIC T6 Gb and/or	I M2 Ex db ia/ib I Mb																
II 2(2) G Ex db ia/ib [ib] IIC T6 Gb and/or II	I M2(M1) Ex db [ia Ma] I Mb																
2(1) D Ex tb [ia Da] IIIC T85°C Db	I M2(M2) Ex db [ib] I Mb																
II 2(2) D Ex tb [ib] IIIC T85°C Db	I M2(M1) Ex db ia/ib [ia Ma] I Mb																
II 2(1) D Ex tb ia/ib [ia Da] IIIC T85°C Db II	I M2(M2) Ex db ia/ib [ib] I Mb																
2(2) D Ex tb ia/ib [ib] IIIC T85°C Db																	
<b>Surface treatment</b>	Painted by polyurethane painting: Blue RAL5014 ( other colours on request) painting cycle C4 suitable for On-Shore; External environment: Industrial areas and coastal areas with moderate salinity Internal environment: Chemical plants, swimming pools, coastal plants and shipyards The Reference standard is UNI EN ISO 12944-1:2018																
<b>Entries</b>	Metric pitch 1.5, ANSI B1.20.1 NPT																
<b>Standard certificate label</b>	Made by self adhesive UV and corrosion resistant polyester, approved by certified Laboratory																
<b>Optional accessories</b>	Drain/breather valve Internal anticondensate painting Laminated plastic/Stainless steel certificate label																

## Dimensions GUB/EMH

### Copper-free aluminium



### Stainless steel



### GUB/EMH.. Series - Copper-free aluminium

CODE	TYPE	DIMENSIONS [mm]								WINDOW Ø [MM]	WEIGHT [KG]	MOUNTING PLATES Ø [MM]
		A	B	C	FIXING		F	ØG	H			
					D	E						
B016084010003	EMH-160	210	210	160	180	180	78	8	115	155	6.00	160
B016084010005	EMH-175	281	232	185	202	251	97	8	141	170	8.90	174
B016084010006	EMH-200	298	257	200	227	268	106	8	150	195	11.90	200
B016084010009	EMH-230	329	293	236	259	295	140	10	189	230	15.80	235

For complete junction boxes, ask to the Sales Dept.

### GUB/EMH.. Series - Stainless steel

CODE	TYPE	DIMENSIONS [mm]								WINDOW Ø [MM]	WEIGHT [KG]	MOUNTING PLATES Ø [MM]
		A	B	C	FIXING		F	ØG	H			
					D	E						
B016083010002	EMH-160	210	210	166	185	235	80	9	115	156	17.00	160